

Mother of Original Owner:  
 DOB:  
 DOD:

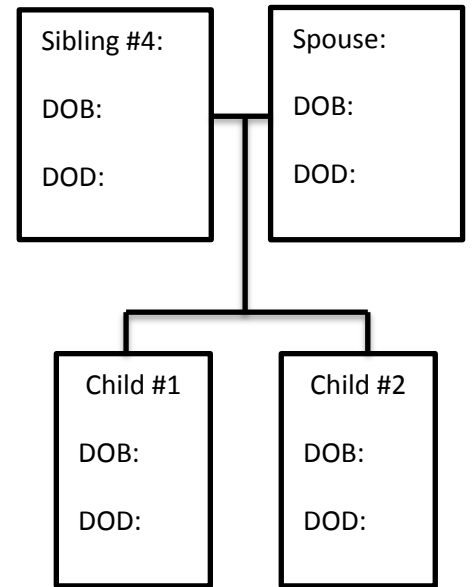
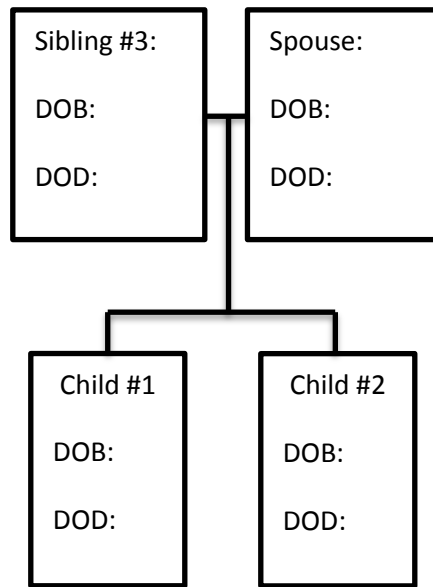
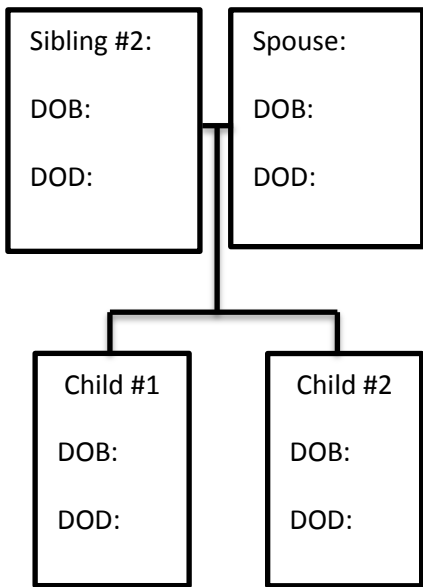
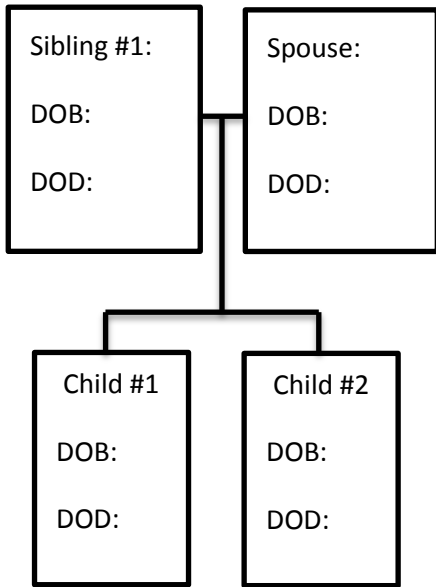
Father of Original Owner:  
 DOB:  
 DOD:

Original Owner:  
 DOB:  
 DOD:

The estate of \_\_\_\_\_ was not probated.

This is their family tree:

Please include ALL Siblings of the Original Owner-Living and Deceased



If additional space is required please attach another sheet of paper.

**NOTARIZATION**

Subscribed and Sworn before me, a notary on  
 this \_\_\_\_\_ day of \_\_\_\_\_, 20\_\_\_\_.

\_\_\_\_\_  
 Notary Public

I have personally completed this form and certify under the penalty of perjury under Section 575.040, RSMo,  
 that the statements contained herein are true and correct.

Date: \_\_\_\_\_  
 Signed: \_\_\_\_\_